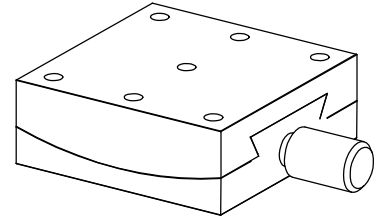
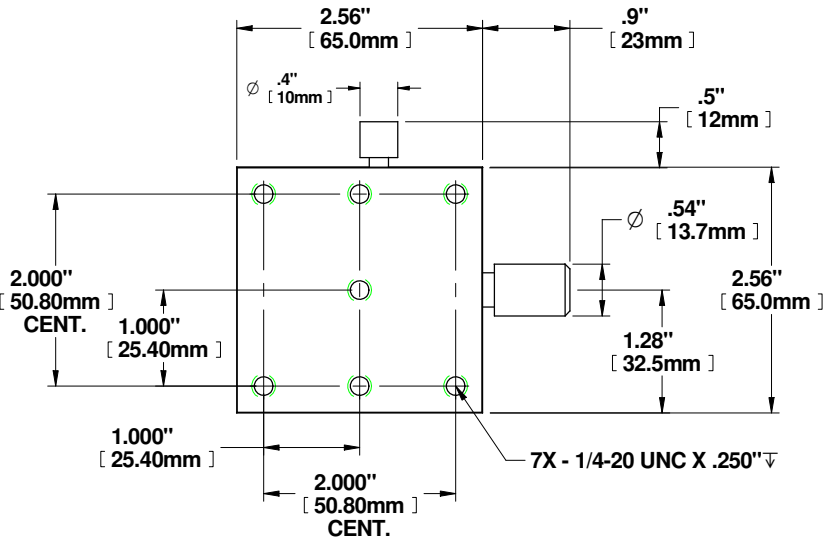
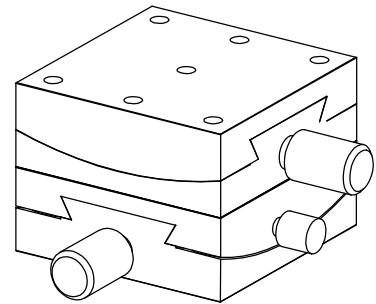


## Precision Goniometer Micro-Stage P/N: AI-65 Series GM



GONIOMETER



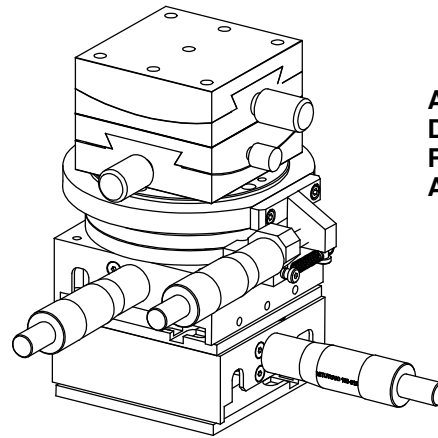
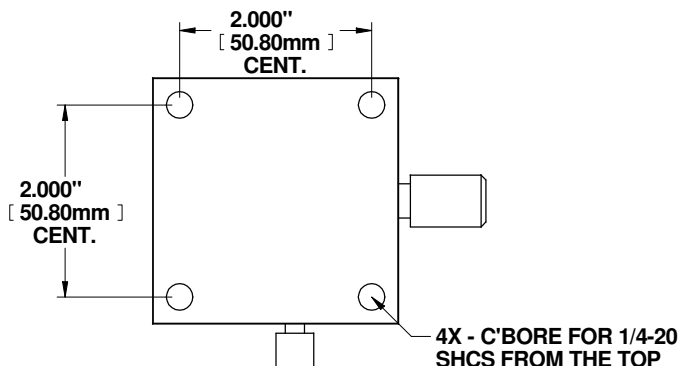
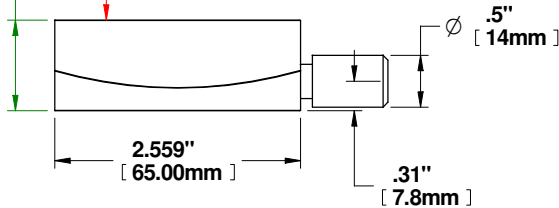
GONIOMETER STACK

✚ POINT OF ROTATION

HEIGHT  
3.937"  
[100.00mm]  
AI-65100 GM

THICKNESS  
.945"  
[24.00mm]  
AI-65100 GM

Part Number	Thickness	Height	Travel	Load	Resolution
AI-65050 GM	26mm	50mm	40 deg	5 kg	5 arc min
AI-65076 GM	24mm	76mm	30 deg	5 kg	5 arc min
AI-65100 GM	24mm	100mm	20 deg	5 kg	5 arc min



5 DOF ASSEMBLY

ALL GONIOMETERS MOUNT DIRECTLY TO THE AI-80R ROTARY AXIS AND THE AI-2400 ME LINEAR STAGES