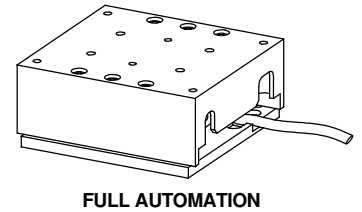
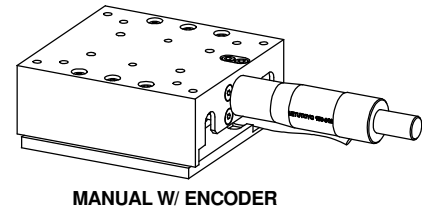
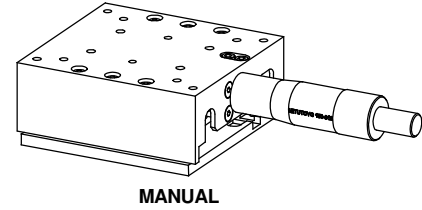
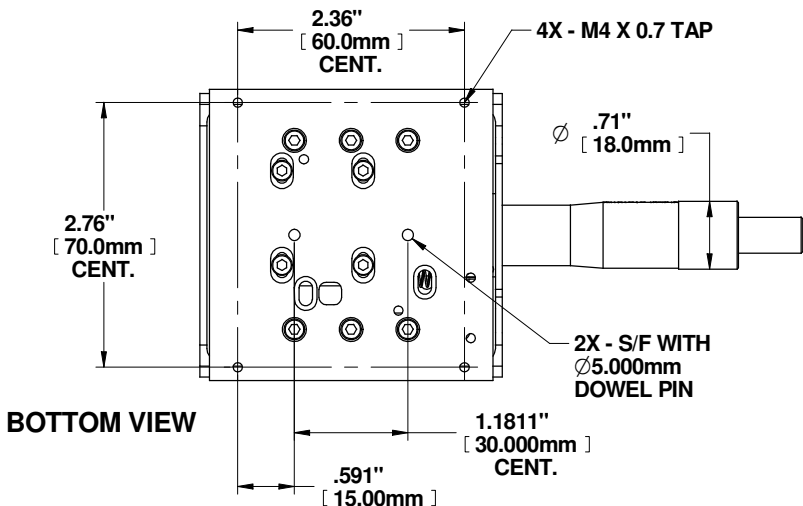
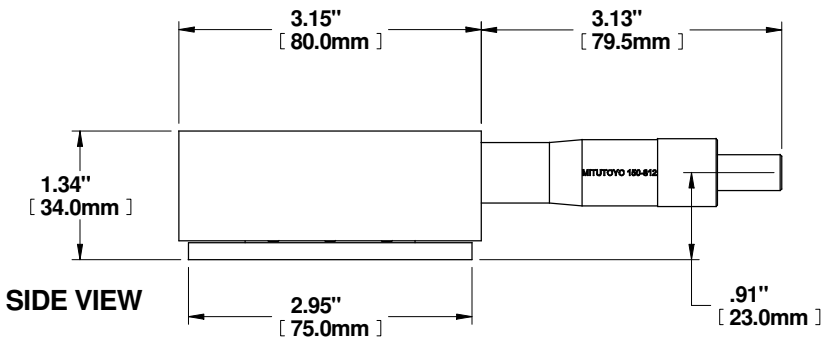
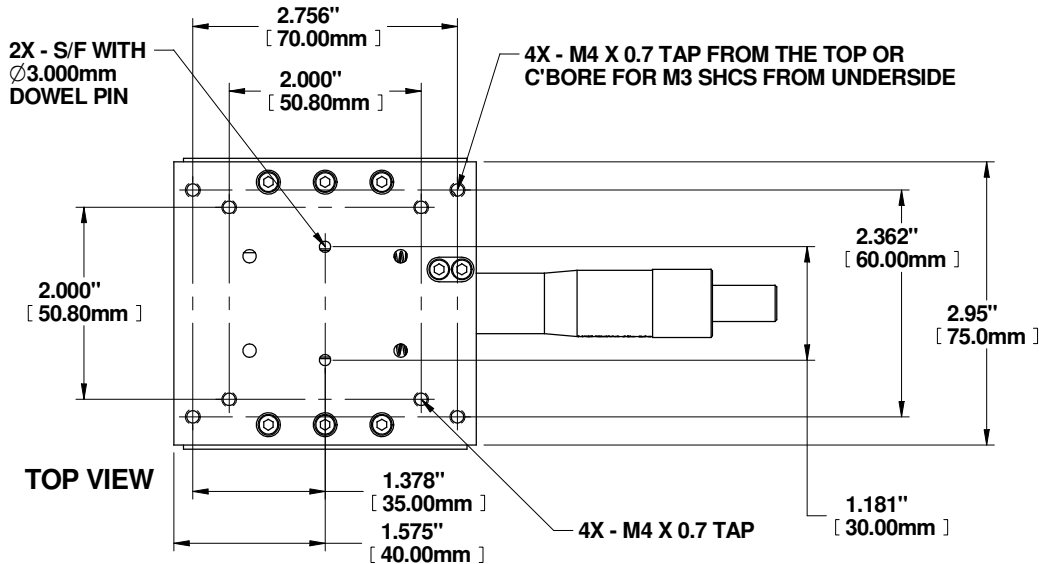


# Precision Linear Micro-Stage

## P/N: AI-2400 ME

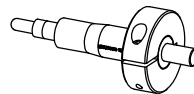


### Standard Features:

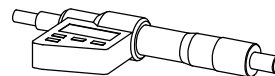
- Standard Precision Micrometer Driven
- 24mm Travel
- 10 Micron Resolution/Sensitivity
- 10 kg Load Capacity
- Designed for Automation Upgrade
- Ultra-Precision Crossed Roller Bearings
- 6061-T6 Aluminum Enclosures

### Optional Features:

- Micrometer Ring (Increased Sensitivity)
- Digital Micrometer (1um Resolution)
- High Resolution Non-Contact Optical Linear Encoders
- Linear Piezoelectric Servo Motor
- Stainless Steel Enclosure
- Class 100 Clean Room Compatible
- Custom Designs for OEM Integration



OPTIONAL MICROMETER RING



OPTIONAL DIGITAL MICROMETER