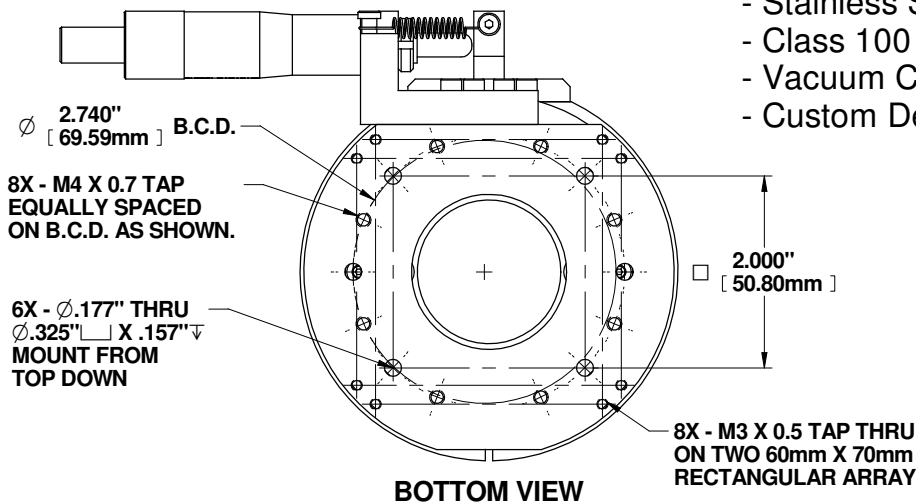
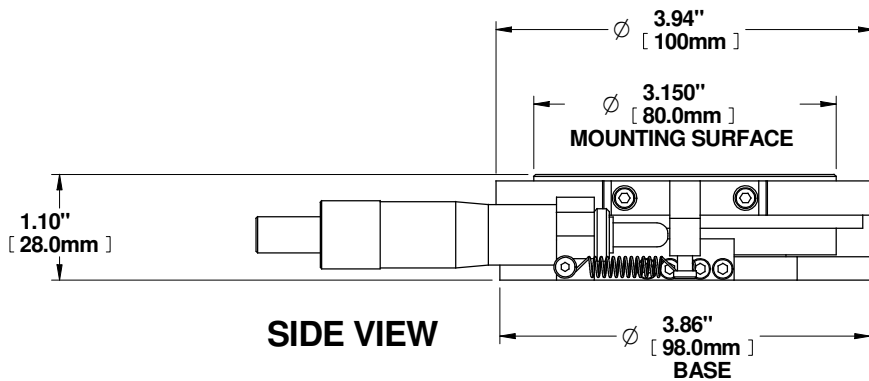
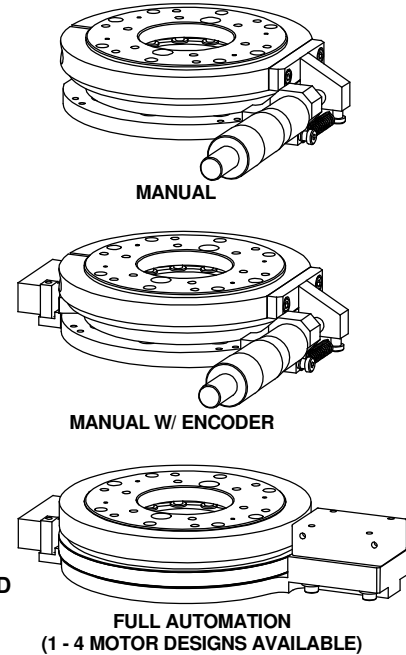
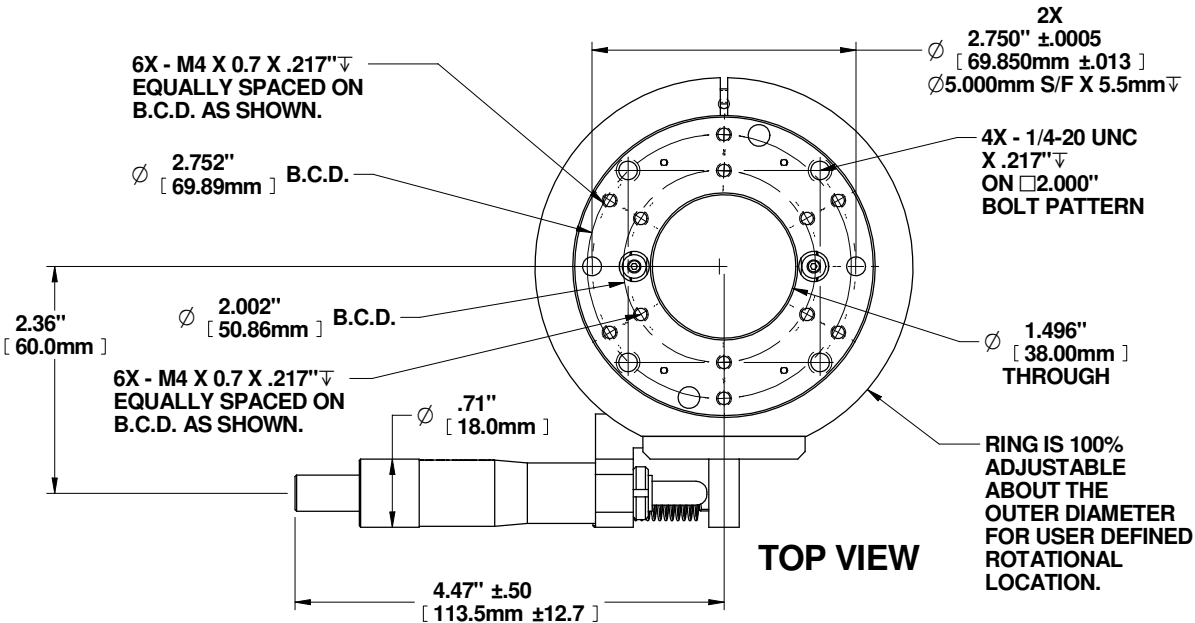


Precision Rotary Micro-Stage P/N: AI-80 RM



Standard Features:

- Micrometer Driven
- 20 Degree Travel, Manual
- 20 Arc Second Resolution
- 10 kg Load Capacity Minimum
- Designed for Automation Upgrade
- Ultra-Precision Crossed Roller Bearings
- 6061-T6 Aluminum Enclosures

Optional Features:

- High Resolution Non-Contact Optical Linear Encoders
- Linear Piezoelectric Servo Motor (1-4)
- Stainless Steel Enclosure
- Class 100 Clean Room Compatible
- Vacuum Compatible Design
- Custom Designs for OEM Integration